

SHEAREX

LAND CLEARING & FORESTRY



OUR MISSION

Shearex fundamentally transforms forestry and land clearing into a customer-driven experience, fueled through the needs and challenges of the global market.

Shearex is built around the great expertise of its employees. Its mission translates into being a leader manufacturer in forestry and land clearing equipment in North America.

Founded in 2020, Shearex is part of the parent company GRYB International - a group of companies aimed at creating the ultimate heavy equipment attachment portfolio in the material handling industries.

GRYB INTL

GRYB

BATEMAN

WINKLE

SHEAREX

SERCO
LOADERS

e-Trak
Technology Solutions

RADETECH
INNOVATION

DALKO
TECH

TABLE OF CONTENT

LAND CLEARING

Mulchers & Shears

FORESTRY

Shears, Splitters & Grapples

SHEAREX



DANGER
STAND CLEAR 300'

SHEAREX
HM-7000

An aerial photograph of a dense forest with a large orange text overlay. The text 'LAND CLEARING' is written in bold white capital letters on an orange background that is shaped like a large, irregular block. The forest below is a mix of green and brown, suggesting a mix of tree types and possibly some clearing work.

LAND CLEARING

SHEAREX MULCHERS

HM & VM SERIES

IDEAL FOR LAND CLEARING

The ultimate tool for fast and efficient roadside maintenance, invasive species removal, land clearing, and underbrush maintenance.



ROADSIDE MAINTENANCE

The power and speed to clear the sides of any hunting lanes, trails, roads or highways.



FOREST FIRE PREVENTION

Cutting firebreaks can be a safe and efficient way to limit the spread of forest fires.



INFRASTRUCTURE

A mulcher can easily manage new roads to maintain a right-of-way under electrical lines.



LAND MANAGEMENT

Most efficient tool to cut underbrush and keep your private property accessible.



VM SERIES
EXCAVATOR

HM SERIES
FRONT MOUNT

G 2.0 BALANCE QUALITY

Our mulchers respect the highest balancing standard in the industry. Enhance your performance by using the Shearex mulchers, ensuring smoother operation, reducing vibration and minimizing stress on the carrier.



BLADE ANGLE OPTIMISED FOR A PERFECT CUT

Our blade mount design provides greater durability and cutting power. The rotor maintains its power throughout the tooth life.

PROTECTION SYSTEM CONVEX DX™

Our unique protection system is made of four fins types that limit the amount of material cut with each pass and concentrates smaller material toward the center of the blades.



NOW AVAILABLE 2 TYPES OF BLADES

Depending on your operation, choose between 2 blade types when ordering your mulcher to provide maximum durability to your equipment.

Shearex **carbide blades** are available for all of your land clearing operation in soil with stones. Choose these blades for land clearing near roads, where asphalt parts can be found, or in fields where the ground could be more rocky. These hammers provide ground breaking durability to your equipment.

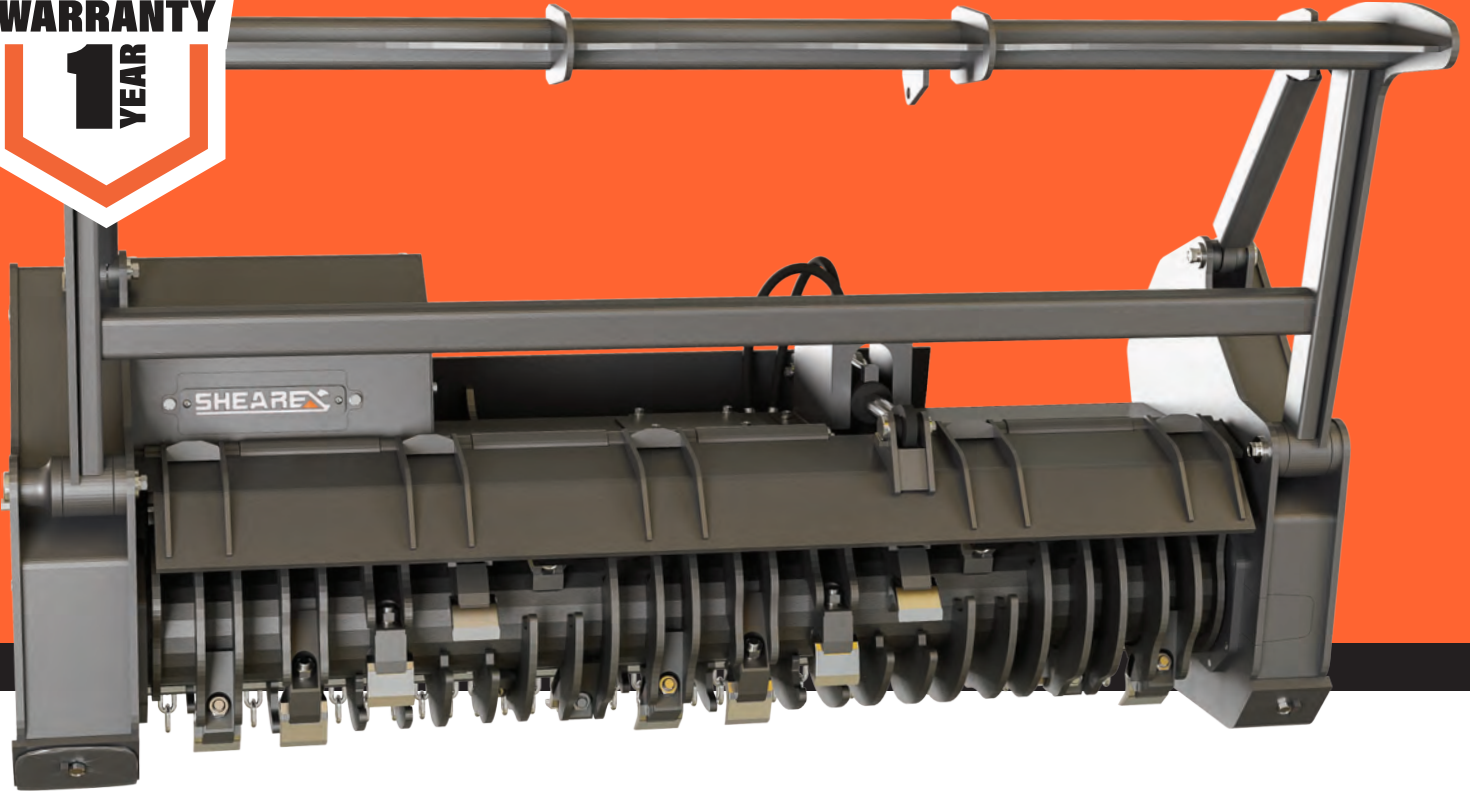
We also offer **cutting blades** which are very efficient for cutting material on smooth soils, land clearing operation and forestry application. The blade angle provides a high efficiency.





WARRANTY

1
YEAR



FRONT-MOUNT MULCHER

HM SERIES

Shearex's hydraulic mulcher is the ultimate tool for fast and efficient roadside maintenance, invasive species removal, land clearing, and underbrush maintenance! The front-mount hydraulic mulcher is the best forestry mulcher head and offers the speed and power to complete any land-clearing job. With our skid steer forestry mulchers, you'll be able to clear land with the utmost efficiency!

FOREST FIRE PREVENTION

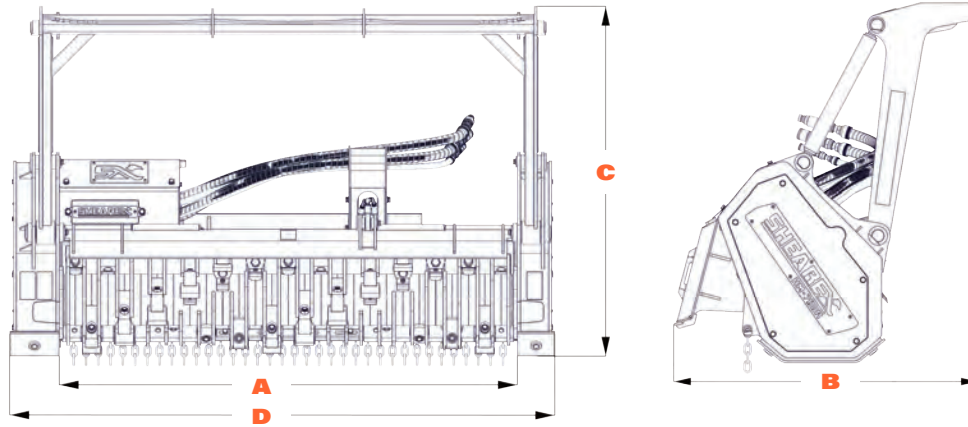
Cutting firebreaks can be a safe and efficient way to limit the spread of forest fires when you use the best skid steer forestry mulcher on the market today!

HYDRAULIC PUSH-BAR

The Hydraulic Push-bar is a convenient piece of equipment that allows the aligning and control of materials during mulching operation.

Reliable and robust, it has been built for heavy duty operations for all the SV series HM mulchers.





HM-60SR HM-70SR HM-70DR HM-70SV HM-90SV HM-100SV2

		HM-60SR	HM-70SR	HM-70DR	HM-70SV	HM-90SV	HM-100SV2
Recommended Minimum Carrier Power	HP (KW)	68 (50)	74 (55)	74 (55)	125 (95)	170 (127)	250 (190)
Cutting Width A	IN (CM)	58.625 (149)	74.75 (190)	74.75 (190)	74.75 (190)	90.75 (230)	100 (254)
Cutting Distance from Cutting Ground Level	IN (CM)	0.4 (1)	0.4 (1)	0.4 (1)	0.4 (1)	0.4 (1)	0.4 (1)
Number of Blades on Rotor		21	27	27	24	33	36
Optimal Target Material Diameter	IN (CM)	6 (15)	8 (20)	8 (20)	10 (25)	15 (40)	24 (60)
Exterior Length B	IN (CM)	49.25 (125)	49.25 (125)	48 (122)	48.75 (124)	46.5 (118)	46.5 (118)
Exterior Height C	IN (CM)	50.625 (129)	50.625 (129)	57.3 (146)	58.75 (149)	52.625 (134)	59 (150)
Exterior Width D	IN (CM)	72.063 (183)	89 (226)	89 (226)	90 (228.25)	106 (269)	118 (299.25)
Rotor Diameter	IN (CM)	17,625 (45)	17,625 (45)	17,625 (45)	20 (50)	20 (50)	20 (50)
Approximate Typical Weight	LBS (KG)	2,300 (1,043)	3,000 (1,361)	3,285 (1,490)	3,640 (1,655)	4,272 (1,938)	5,094 (2,311)

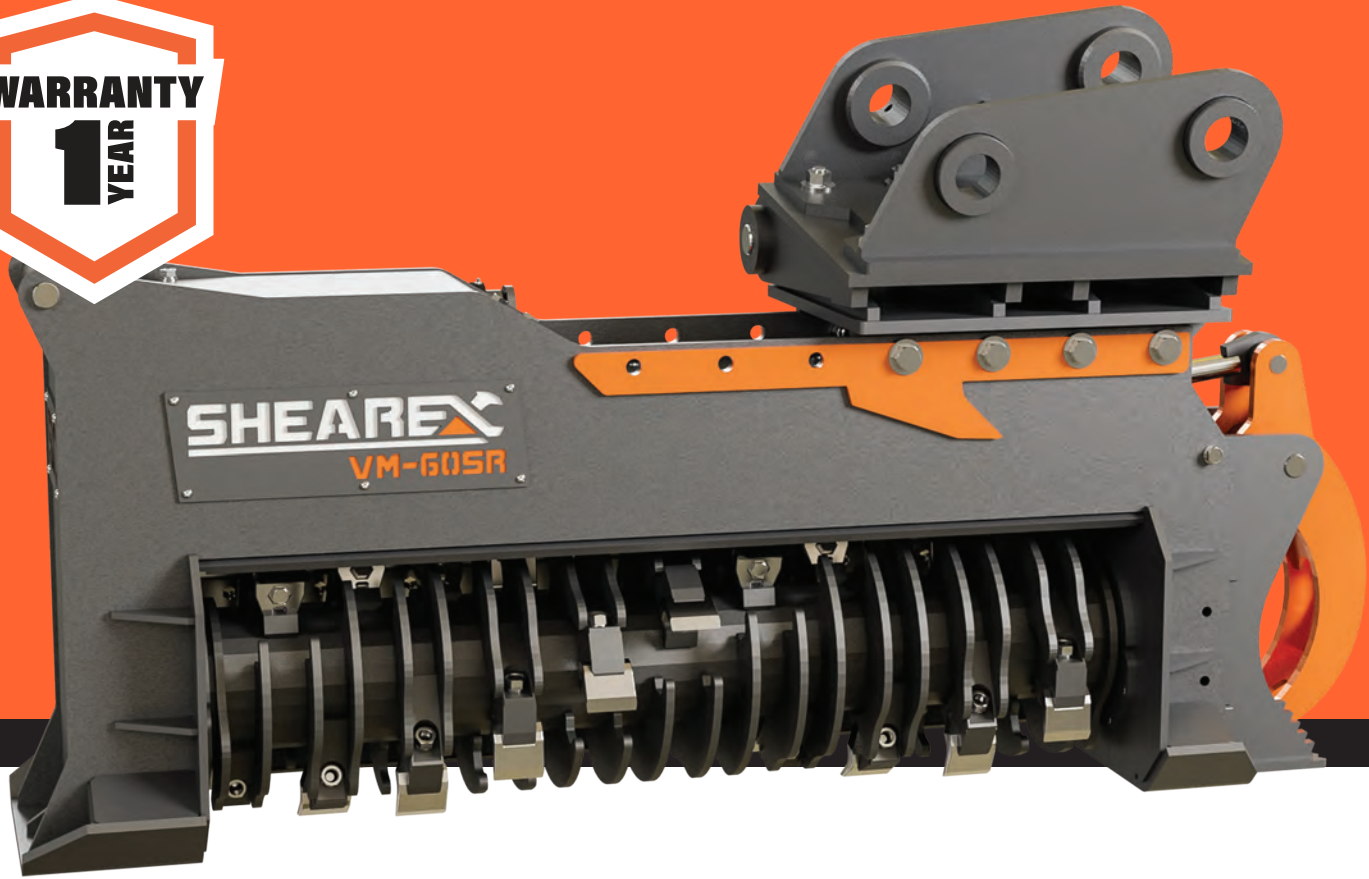
HYDRAULICS

		HM-60SR	HM-70SR	HM-70DR	HM-70SV	HM-90SV	HM-100SV2
Variable Displacement Axial Piston Motor	CC	80	110	110	160	160	2x160
Min. Required Continous Flow	GAL/MIN (L/MIN)	23 (87)	33 (133)	33 (133)	52 (197)	52 (197)	95 (360) for 160cc 70 (265) for 110cc
Max. Operating Pressure	PSI (BAR)	6,000 (410)	6,000 (410)	6,000 (410)	6,000 (410)	6,000 (410)	6,000 (410)
Rotating Speed	RPM	2,600	2,600	2,600	2,500	2,300	2,300
Pressure Line I.D.	# (IN)	#12 (0.75)	#16 (1)	#16 (1)	#16 (1)	#16 (1)	#20 (1.25)
Return Line I.D.	# (IN)	#12 (0.75)	#16 (1)	#16 (1)	#16 (1)	#16 (1)	#20 (1.25)
Drain Line I.D.	# (IN)	#10 (0.625)	#10 (0.625)	#10 (0.625)	#10 (0.625)	#10 (0.625)	#16 (1)

FEATURES

	HM-60SR	HM-70SR	HM-70DR	HM-70SV	HM-90SV	HM-100SV2
Bolt-on Liner	Included	Included	Included	Included	Included	Included
Mechanical Pushbar	Included	Included	Included	Included	Included	Included
Hydraulic Pushbar	N/A	N/A	N/A	Optional	Optional	Optional
Front Deflector	N/A	N/A	Included	N/A	N/A	N/A
Hydraulic Motor Option	N/A	N/A	N/A	N/A	N/A	2 x 110cc

This information is subject to change without notice.



EXCAVATOR MULCHER

VM SERIES

COUPLING

Shearex provides the standard attachment bracket to couple the mulcher to the carrier. Shearex is also able to make a coupler adapted to any brand of carrier you might have.



TILTING SYSTEM

Essential tool for facilitating work *at height* for the operator of an excavator by more easily visualizing the trajectory of the mulcher's rotor.

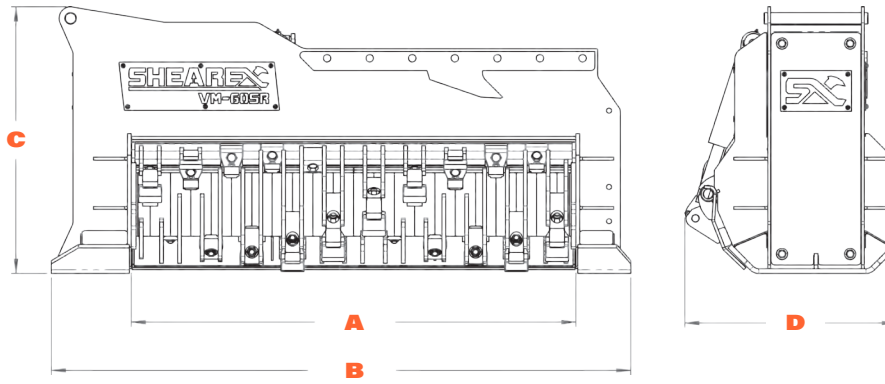


AVAILABLE ON THE -SR SERIES

OPTIONAL GRAPPLE SYSTEM

Move and sort through smaller material or pile them up for greater mulching control.





VM-25SK VM-35SK VM-40SL VM-50SR VM-60SR VM-65SV

Excavator Size	T (LBS)	5 to 8 (11,000 to 18,000)	8 to 12 (18,000 to 26,000)	12 to 15 (26,000 to 33,000)	15 to 20 (33,000 to 44,000)	20 to 25 (44,000 to 55,000)	25 to 40 (55,000 to 88,000)
Recommended Min. Carrier Power	KW (HP)	37 (50)	40 (54)	48 (65)	59 (80)	96 (130)	127 (170)
Cutting Width A	IN (CM)	27.5 (70)	37.2 (94.5)	42 (106.7)	48.4 (123)	58.75 (149)	65 (165)
Cutting Distance From Ground Level	IN (CM)	0.25 (0.64)	0.25 (0.64)	0.25 (0.64)	0.25 (0.64)	0.25 (0.64)	0.25 (0.64)
Number of Blades on Rotor		9	11	14	17	21	21
Optimal Target Mat. Dia.	IN (CM)	<4 (<10)	4 (10)	6 (15)	10 (25)	15 (40)	20 (50)
Exterior Length B	IN (CM)	41 (104)	50 (127)	57 (140)	66 (168)	77 (195)	89 (226)
Exterior Height C	IN (CM)	30.5 (77)	30 (76)	33.5 (85)	35 (89)	35 (89)	42 (107)
Exterior Width D	IN (CM)	23 (58)	25 (63)	25.4 (64.5)	28 (71)	28 (71)	29 (74)
Rotor Diameter	IN (CM)	15.15 (38)	15.15 (38)	16 (41)	17.7 (45)	17.7 (45)	19.7 (50)
Approximate Weight	LBS (KG)	1,100 (499)	1,150 (522)	1,668 (757)	2,150 (975)	2,614 (1,188)	3,707 (1,681)

HYDRAULICS

Variable Displacement Axial Piston Motor	CC	28	60	80	110	110	160
Min. Required Continous Flow	GAL/MIN (L/MIN)	13 (49)	20 (76)	30 (114)	42 (159)	42 (159)	51 (193)
Max. Operating Pressure	PSI (BAR)	6,000 (410)	6,000 (410)	6,000 (410)	6,000 (410)	6,000 (410)	6,000 (410)
Rotating Speed	RPM	3,800	3,400	3,500	3,000	3,000	3,000
Pulley Ratio		1:2:1	1:1	1:1	1:2:1	1:2:1	1:2:1
Pressure Line I.D.	# (IN)	#12 (0.75)	#10 (0.625)	#16 (1)	#16 (1)	#16 (1)	#16 (1)
Return Line I.D.	# (IN)	#12 (0.75)	#10 (0.625)	#16 (1)	#16 (1)	#16 (1)	#20 (1.25)
Drain Line I.D.	# (IN)	#8 (0.5)	#8 (0.5)	#10 (0.625)	#12 (0.75)	#12 (0.75)	#12 (0.75)

FEATURES

Tilting System	Optional	Optional	Optional	Optional	Optional	Optional	Optional
Bolt-on Wear Liner	N/A	N/A	Included	Included	Included	Included	Included
Grappling Hook	N/A	Optional	Optional	Optional	Optional	Optional	Optional

This information is subject to change without notice.

HARVESTER SHEAR

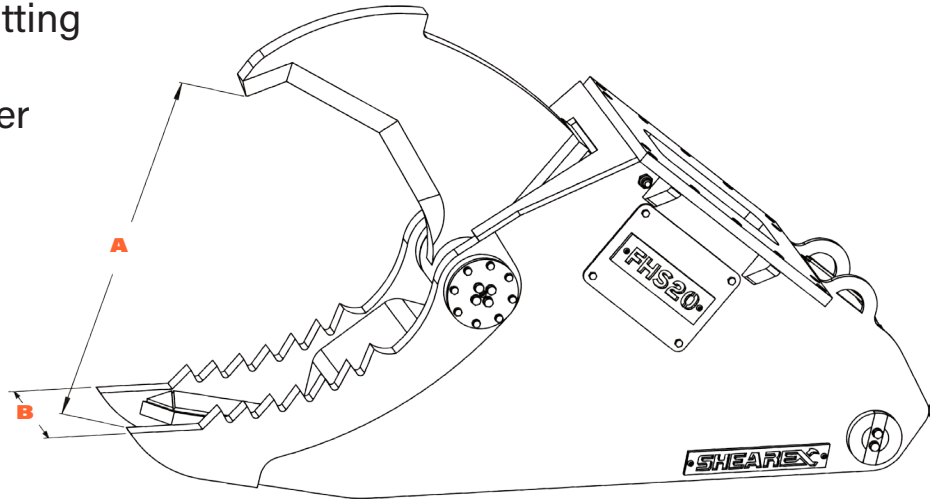
FHS SERIES

Finish your land clearing jobs in-depth by uprooting and cutting roots, stumps, and biomass beyond the reach of your other land clearing tools.

**LOW
MAINTENANCE**

**EXTREME
CUTTING FORCE**

**HIGH-QUALITY
STEEL**



MODEL	CARRIER	WEIGHT LBS (KG)	OPENING IN (MM) A	WIDTH IN (MM) B	DEPTH IN (MM)	PRESSURE PSI (BAR)	FORCE T
FHS20	15t-25t	2,680 (1,218)	39 (990)	15.75 (400)	28 (711)	5,000 (350)	30
FHS30	25t-35t	4,640 (2,110)	55 (1,400)	18.00 (457)	37 (940)	5,000 (350)	45

This information is subject to change without notice.





STUMP SHEAR

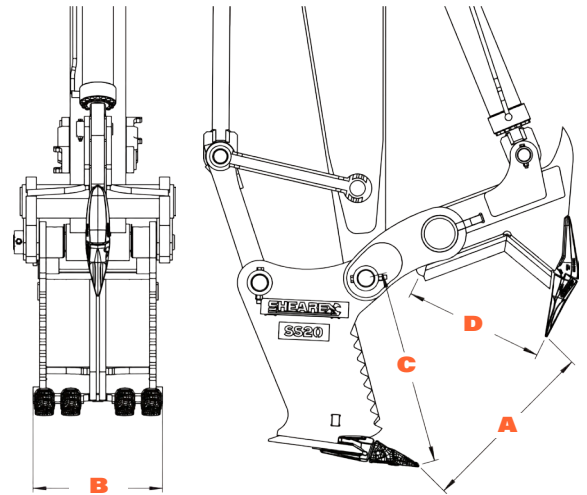
SS SERIES

EASY MAINTENANCE

POWERFUL GRIP

IDEAL FOR LAND CLEARING

AVAILABLE IN HYDRAULIC OR MECHANICAL CONFIGURATIONS



MODEL	CARRIER	WEIGHT LBS (KG)	OPENING IN (MM) A	WIDTH IN (MM) B	TIP RADIUS IN (MM) C	CUT LENGTH IN (MM) D
SS16	12t-16t	2,315 (1,050)	52 (1,321)	22 (559)	32 (813)	21 (533)
SS16M	12t-16t	2,315 (1,050)	52 (1,321)	22 (559)	32 (813)	21 (533)
SS20	15t-24t	2,811 (1,275)	58 (1,473)	25 (635)	34 (864)	24 (610)
SS20M	15t-24t	2,811 (1,275)	58 (1,473)	25 (635)	34 (864)	24 (610)
SS27	18t-25t	3,858 (1,750)	64 (1,626)	30 (762)	42 (1,067)	30 (762)
SS27M	18t-25t	3,858 (1,750)	64 (1,626)	30 (762)	42 (1,067)	30 (762)
SS30	25t-38t	5,512 (2,500)	68 (1,727)	30 (762)	43 (1,092)	31 (787)
SS30M	25t-38t	5,512 (2,500)	68 (1,727)	30 (762)	43 (1,092)	31 (787)
SS40	30t-50t	7,716 (3,500)	72 (1,828)	32 (813)	48 (1,219)	34 (864)

This information is subject to change without notice.



A photograph of a winter forest. The ground is covered in a layer of snow. In the foreground, there are several fallen, bare tree branches and trunks. The background is filled with many tall, thin, bare trees reaching up towards a clear blue sky. The overall scene is a quiet, cold forest landscape.

FORESTRY



TREE SHEAR

FTS SERIES

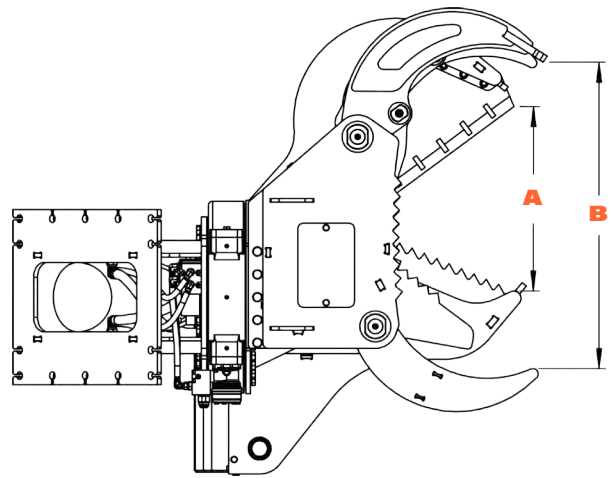
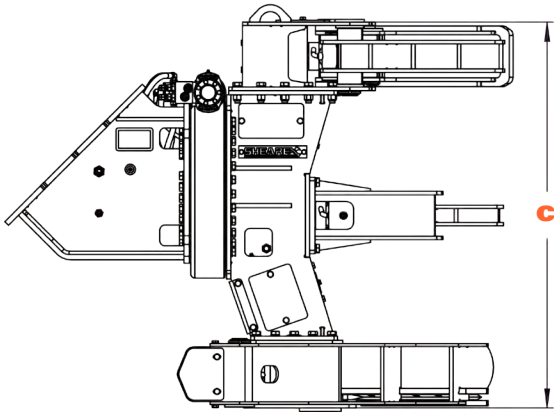
With its multiple tree capacity, it's powerful replaceable cutting blade and it's 360 degrees rotation the Shearex tree shear is a natural choice for those who seek to cut down a whole tree in a matter of seconds.

The tree shear is available for 3 to 35 ton excavators.

IDEAL FOR FORESTRY

Rapidly cut and move whole trees for other specialised units to transport and process. The Shearex tree shear is an effective and easy way to jumpstart your forestry production output.

- EASY MAINTENANCE**
- OPTIONAL ACCUMULATOR**
- POWERFUL GRIP & CUT**
- 360 DEGREES OF POWERFUL ROTATION**
- PROTECTED CYLINDERS**



MODEL	CARRIER	WEIGHT LBS (KG)	OPENING IN (MM) A	GRAPPLING IN (MM) B	HEIGHT IN (MM) C	FORCE T	PRESSURE PSI (BAR)	HYD. FLOW GPM (L/MIN)
FTS05	3t-7t	750 (341)*	35 (889)	35 (889)	23 (584)	11	3,191 (220)	13-15 (50-60)
FTS07	5t-9t	950 (431)*	35 (889)	35 (889)	24 (609)	11	3,191 (220)	13-15 (50-60)
FTS12	8t-14t	1,300 (590)*	18 (457)	33.5 (850)	47(1,194)	16	3,626 (250)	15-21 (60-80)
FTS16	12t-18t	2,420 (1,100)*	25 (635)	43 (1,092)	56 (1,422)	37	4,351 (300)	21-26 (80-100)
FTS20	16t-24t	3,960 (1,800)*	29.5 (749)	43 (1,092)	68 (1,727)	45	4,351 (300)	34-40 (130-150)
FTS25	21t-35t	4,620 (2,100)*	33.5 (850)	59 (1,498)	73 (1,854)	51	4,351 (300)	40-48 (150-180)

*Weight does not include rotation and accumulator. This information is subject to change without notice.



WOOD CONE SPLITTER

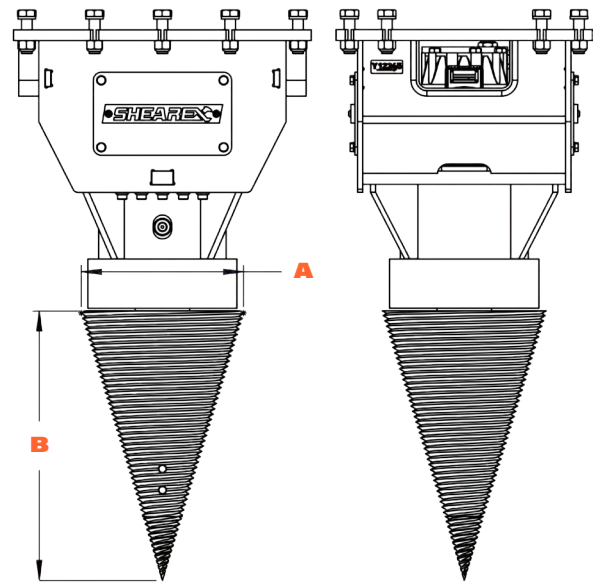
FWS SERIES

Split your logs with power and ease. The wood cone splitter quickly handles large workloads.

**IDEAL FOR
FORESTRY**

**EASY TO
MAINTAIN**

**IMPRESSIVE
SPLITTING POWER**



MODEL	CARRIER	WEIGHT LBS (KG)	DIAMETER IN (MM) A	HEIGHT IN (MM) B	PRESSURE PSI (BAR)	HYD. FLOW GPM (L/MIN)	TORQUE LBS-FT (NW)
FWS09	3.0t-9t	700 (318)	13.5 (343)	22 (559)	5,000 (350)	10-25 (38-100)	11,400 (15,500)
FWS30	10t-30t	1,650 (750)	15.5 (394)	25 (635)	5,000 (350)	20-50 (75-190)	11,400 (15,500)

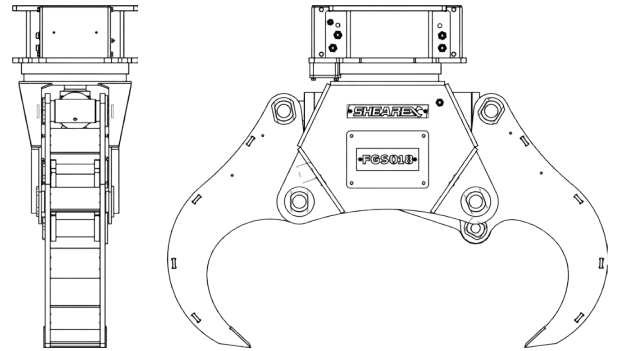
This information is subject to change without notice.

LOG SPLITTER GRAPPLE

FGS SERIES

Maximize your logging operations with this log splitter grapple by handling and splitting your logs at the same time.

**IDEAL FOR
FORESTRY**



MODEL	CARRIER	WEIGHT LBS (KG)	OPENING IN (MM)	WIDTH IN (MM)	DEPTH IN (MM)	PRESSURE PSI (BAR)	FORCE T
FGS005	3t-5t	450 (204)	24 (610)	6 (152)	12 (305)	4,640 (320)	10
FGS007	6t-8t	670 (304)	32 (812)	8 (203)	18 (458)	4,650 (320)	15
FGS012	9t-13t	1,154 (524)	41.25 (1,048)	10 (254)	20 (508)	4,650 (320)	25
FGS018	14t-21t	2,122 (964)	54.5 (1,385)	12 (305)	28 (711)	5,000 (350)	35
FGS025	22t-30t	4,410 (2,000)	71 (1,803)	16 (406)	35 (889)	5,000 (350)	50

This information is subject to change without notice.

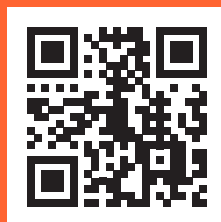


SHEAREX

**GRYB
INTL**

1-579-213-0350 - INFO@SHEAREX.COM

FOLLOW US     



SHEAREX.COM

SH-CA-ALL_PRODUCT-E-23-01